

2. Headlight and Tail Light System

A: WIRING DIAGRAM

1. HALOGEN TYPE HEADLIGHT

<Ref. to WI-116, WIRING DIAGRAM, Headlight System.>

2. CLEARANCE LIGHT AND ILLUMINATION LIGHT

<Ref. to WI-122, WIRING DIAGRAM, Clearance Light and Illumination Light System.>

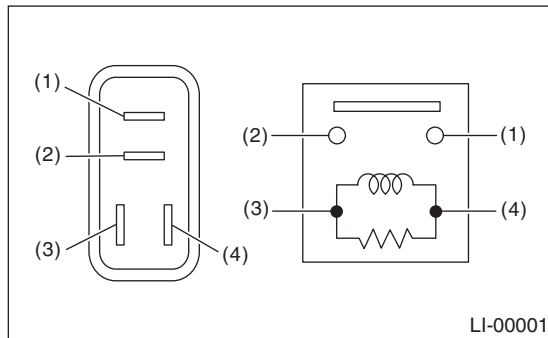
B: INSPECTION

1. HEADLIGHT SWITCH

<Ref. to LI-9, INSPECTION, Combination Switch (Light).>

2. HEADLIGHT RELAY

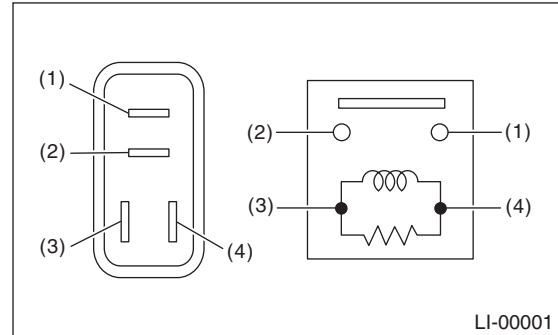
Measure the headlight relay resistance between terminals when connecting terminal No. 4 to the battery positive terminal and terminal No. 3 to the battery ground terminal.



Continuity	Terminal No.	Standard
Yes	1 and 2	Less than 1 Ω
No		1 MΩ or more

3. TAIL AND ILLUMINATION RELAY

Measure the resistance between the tail and illumination relay terminals when connecting terminal No. 4 to the battery positive terminal and terminal No. 3 to the battery ground terminal.



Continuity	Terminal No.	Standard
Yes	1 and 2	Less than 1 Ω
No		1 MΩ or more